

## Specification

|                             |   |
|-----------------------------|---|
| Model                       | TR-Lite L2S5                                      |
| Image sensor                | 1/2.9" CMOS 2MP                                   |
| Resolution                  | FullHD(1920x1080)                                 |
| Frame rate                  | FullHD@25fps                                      |
| Electronic shutter speed    | 1/2 ~ 1/1 000 s                                   |
| Day/Night Mode              | Mechanical ICR                                    |
| Sensitivity                 | 0.005Lux (F1.8)                                   |
| IR range                    | up to 30 m  |
| Stroboscope                 | Yes   |
| Lens (mm)                   | 2.8   |
| Field of view(horiz./vert.) | 98°±5° / 53°±5°                                   |
| Axes setting                | Pan: 0°-355°<br>Tilt: 0°-75°<br>Rotation: 0°-360° |
| WDR                         | D-WDR   |
| Digital Noise Reduction     | 3D DNR  |
| Video compression           | H.265 / H.264 / MJPEG                             |
| Bitrate                     | Up to 8Mbps                                       |
| Audio                       | Built-in microphone                               |
| Power supply                | PoE (802.3af) / 12V DC                            |
| PoE Class                   | 0   |
| Power consumption           | DC: 2.6W<br>PoE: 3.5W                             |
| Case material               | Metal / Plastic                                   |
| Dimensions (mm)             | Ø109.3 x 96.5                                     |
| Weight Net/Gross (g)        | 320 / 420   |
| Protection                  | IP67  |
| Power surge suppressor      | TVS 4000V   |
| Working temperature         | -30°C ... +60°C                                   |

## Technical support

www: helpdesk.trassir.com  
mail: helpdesk@trassir.com

## TR-Lite L2S5

Outdoor IR Network Camera



Data \_\_\_\_\_ Stamp \_\_\_\_\_

Here is the confirmation form for warranty assurance

Note: read user manual before using  
Website: [www.trassir.com](http://www.trassir.com)  
For any inquiry: [info@trassir.com](mailto:info@trassir.com)

## Introduction

Congratulations on purchasing TR-Lite L2S5 IP-camera.  
Please read User Manual before using a camera.

## Key features

- Wide Dynamic Range (D-WDR)
- IR range up to 30 m
- Built-in microphone
- TCP/IP, HTTP, FTP, DHCP, DNS, DDNS, RTP, RTSP, RTCP, PPPoE, UpnP, SMTP, ONVIF
- Power supply 12V DC or PoE

## Camera package

1. IP camera ..... 1 pc.
2. User Manual ..... 1 pc.
3. Mounting kit ..... 1 pc.

### Attention!

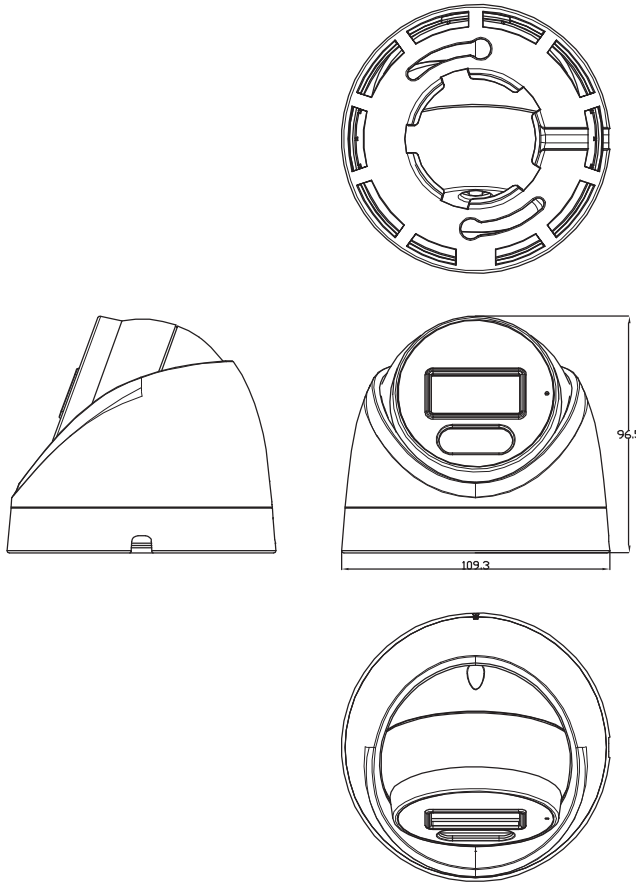
The power supply should meet the following requirements: output voltage, current, polarity, and working temperature. When using the camera in thunderstorm conditions, make sure there is a lightning rod or unplug the power connector.  
Pay attention to the temperature requirements for IP camera operation. Avoid using the device in excessively high or low temperatures. Do not install the camera near heaters. Do not point the camera lens at the sun or at bright objects as this can damage the image sensor.

## Connecting

To get started with IP camera you are required to have a PC connected to the local network with Windows installed and Internet Explorer version 8 or higher.

1. Connect IP camera to the network.
2. When the camera is connected through a switch which doesn't support PoE, connect the adapter to the power jack.

## Dimensions



## Manual setting of network parameters

In order to connect to the IP camera, the PC should be in the same local network as the camera. The IP address of the camera, the PC and any other device on the network should not match.

The IP camera has the following default settings:

- IP address: 192.168.1.188
- Subnet mask: 255.255.0.0
- Gateway: 192.168.1.1
- HTTP-port: 80
- username: admin
- password: admin

PC network settings example:

- IP address: 192.168.1.10;
- Subnet mask: 255.255.0.0.

There are 3 options to set up your camera:

1. Change IP address of a camera manually.  
To do this, connect the camera to the TRASSIR TR-Lite series video recorder. Go to the corresponding menu item and change the IP-camera network settings.
2. Configure the camera IP address Quick Configuration Utility, which can be downloaded from [www.trassir.com](http://www.trassir.com) in the Software section.
3. You can change the IP camera settings using TRASSIR Cloud cloud service.

The product service life is 2 years.

For detailed instructions on camera configuration, please refer to the user manual, which can be downloaded from [www.trassir.com](http://www.trassir.com) in the Technical Documentation section.

Connect the camera to the TRASSIR Cloud service and watch video on your phone screen for free.