

Specification

Model	TR-D7221WDIR2W
Image sensor	1/2.8" CMOS STARVIS 2MP
Resolution	FullHD(1920x1080)
Frame rate	50Hz: FullHD@25fps 60Hz: FullHD@30fps
Electronic shutter speed	1/2 ~ 1/1 000 s
Day/Night mode	Mechanical ICR
Sensitivity	0.005Lux (F1.8)
IR range	up to 15 m
Lens (mm)	2.8 / 3.6
Field of view (horiz./vert.)	2.8mm: 101° / 55° 3.6mm 85° / 46°
Axes setting	Pan: 0°-360° Tilt: 0°-90° Rotation: 0°-360°
WDR	Real WDR (120dB)
Digital Noise Reduction	3D DNR
Video compression	H.265+ / H.265 / H.264
Bitrate	up to 8Mbps
Local storage	MicroSD up to 128GB
Audio	Built-in microphone Built-in speaker
Motion sensor	PIR sensor
Wi-Fi	2.4 Ghz
Corridor mode	Yes
IVS	Yes
Power	PoE (802.3af) / 12V DC
PoE Class	3
Power consumption	DC: 3.1W PoE: 4.2W
Casing material	Plastic
Dimensions (mm)	60 x 99 x 32.8
Net/Gross weight (g)	95 / 220
Working temperature	-10°C ... +50°C

Technical support

www: helpdesk.trassir.com
mail: helpdesk@trassir.com

TR-D7221WDIR2W

Indoor Cube Wireless camera

TRASSIR®



Data _____ Stamp _____

Here is the confirmation form for warranty assurance

Note: read user manual before using
Website: www.trassir.com
For any inquiry: info@trassir.com

Introduction

Congratulations on purchasing TR-D7221WDIR2W IP camera. Please read the User Manual before using the camera.

Key features

- Supports H.265+ codec
- Wide Dynamic Range (Real WDR 120dB)
- IR range up to 20 m
- Built-in video archive (Edge Storage) – local recording on MicroSD card up to 128GB*
- Built-in (microphone and speaker)
- Data transfer via Ethernet or WiFi
- TCP/IP, HTTP, FTP, DHCP, DNS, DDNS, RTP, RTSP, RTCP, PPPoE, UPnP, SMTP, NTP, Onvif protocols
- IVS: Human detection; Line crossing; Intrusion detection; People counting; Loitering; Vehicle detection; Face detection
- Power supply 12V DC or PoE

* MicroSD Card is not included into camera package

Camera package

- | | |
|--------------------------|-------|
| 1. IP camera | 1 pc. |
| 2. User Manual | 1 pc. |
| 3. A set of screws | 1 pc. |
| 4. Mounting kit | 1 pc. |
| 5. Bracket | 1 pc. |

Attention!

The power supply should meet the following requirements: output voltage, current, polarity, and working temperature. When using the camera in thunderstorm conditions, make sure there is a lightning rod or unplug the power connector. Pay attention to the temperature requirements for IP camera operation. Avoid using the device in excessively high or low temperatures. Do not install the camera near heaters. Do not point the camera lens at the sun or at bright objects as this can damage the image sensor.

Quick start

1. Plug in the power adapter from the package. The camera will turn on in a minute.
2. Create your user account at cloud.trassir.com.
3. Download TRASSIR app from Google Play or AppStore.
4. Launch TRASSIR app and sign in to your account.
5. *Settings > Add camera > TRASSIR >* then follow the instructions in the application.

* IP camera WiFi password: 12345678



AppStore

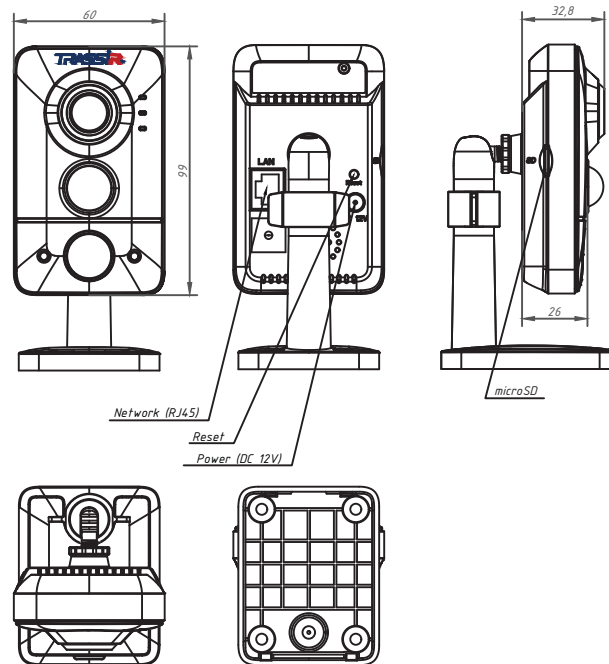


GooglePlay

LEDs on camera

POWER (red)	On: There is power on camera Off: There is no power on camera
STATUS (green)	Blinks frequently every 0.5 sec: camera is ready for WiFi setup Blinks rarely every 1.5 sec: camera is connected to WiFi On: camera is connected to WiFi
LINK (blue)	On or blinks: LAN cable is connected Off: LAN cable is not connected

Dimensions



Manual setting of network parameters

In order to connect to the IP camera, the PC should be in the same local network as the camera. The IP address of the camera, the PC and any other device on the network should not match.

The IP camera has the following default settings:

- IP address: 192.168.1.188
- Subnet mask: 255.255.0.0
- Gateway: 192.168.1.1
- HTTP-port: 80
- username: admin
- password: admin

PC network settings example:

- IP address: 192.168.1.10;
- Subnet mask: 255.255.0.0.

There are 3 options to set up your camera:

1. Change IP address of a camera manually.
Start your browser, connect to IP camera and enter your username and password. Choose appropriate menu item and change network settings of IP camera.
2. Set up camera IP address using fast configuration utility that can be downloaded from www.trassir.com.
3. Change IP camera settings using TRASSIR professional software.

You can find detailed camera settings instructions in User Manual that can be downloaded from trassir.com.